



KX121-3S



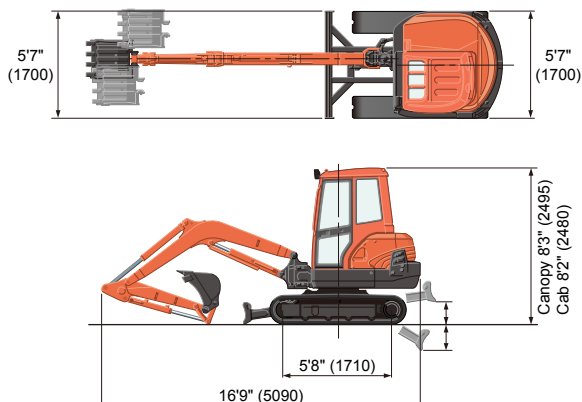
SPECIFICATIONS

Specifications

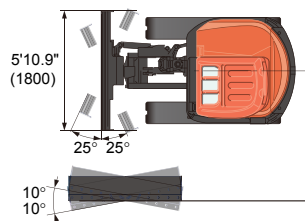
Model		KX121-3S 6-in-1 Blade			
Type of ROPS / OPG (Top Guard)		Canopy / Cab			
Type of tracks		Steel / Rubber			
Engine	Model		Kubota V2203-M-E3		
	Output (SAE J1995 gross)	HP (kW)/rpm	40.5 (30.2) / 2250		
	Output (SAE J1349 net)	HP (kW)/rpm	39.0 (29.1) / 2250		
	Displacement	cu.in. (cc)	134.1 (2197)		
Dimensions	Overall length		ft.in. (mm)	16'9" (5090)	
	Overall height	Canopy / Cab	ft.in. (mm)	8'3" (2495) / 8'2" (2480)	
	Overall width		ft.in. (mm)	5'10"9 (1800)	
	Min. ground clearance		in. (mm)	13.0" (330)	
Hydraulic system	Pump capacity		gpm. (ℓ /min)	25.0 (94.5)	
	Auxiliary hydraulic flow		gpm. (ℓ /min)	15.9 (60)	
	Max. breakout force	Bucket / Arm	lbs. (kgf)	8754 (3970) / 3947 (1790)	
Drive system	Travel speed	Low / High	mph (km/h)	1.7 (2.7) / 3.1 (5.0)	
	Max. traction force	Low speed	lbs. (kgf)	9867 (4485)	
	Tumbler distance		ft.in. (mm)	5'8" (1710)	
	Crawler length		ft.in. (mm)	7'2" (2175)	
	Shoe width		in. (mm)	13.8" (350)	
	Ground contact pressure	Canopy	Rubber / Steel	psi (kgf/cm ²)	4.83 (0.34) / 4.83 (0.34)
		Cab	Rubber / Steel	psi (kgf/cm ²)	4.98 (0.35) / 4.98 (0.35)
Swing system	Unit swing speed		rpm	9.4	
	Boom swing angle	Left / Right	degree	80 / 50	
Blade	Dimensions		Width	ft. in. (mm)	5'10.9" (1800)
			Height	in. (mm)	15.16"(385)
	Max. lift above ground		in. (mm)	17.0" (433)	
	Max. drop below ground		in. (mm)	20.7" (527)	
	Max. swing angle	Left / Right	degree	25	
Tilt		degree	10		
Hydraulic oil (reservoir/system)		gal (ℓ)	12.0 (46) / 19.8 (75)		
Fuel reservoir		gal (ℓ)	16.9 (64)		
Operating weight (Including operator's weight 175 lbs.)	Canopy	Rubber / Steel	lbs. (kgf)	9790 / 9932	
	Cab	Rubber / Steel	lbs. (kgf)	9990 / 10130	

The company reserves the right to change the above specifications without notice. This brochure is for descriptive purposes only. Please contact your local Kubota dealer for warranty information. For your safety, Kubota strongly recommends the use of a Rollover Protective Structure (ROPS) and seat belt for almost all applications.

DIMENSIONS



6-in-1 Blade



Unit: ft. in. (mm)